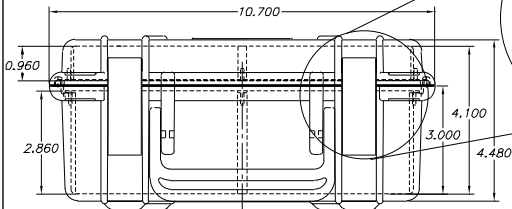
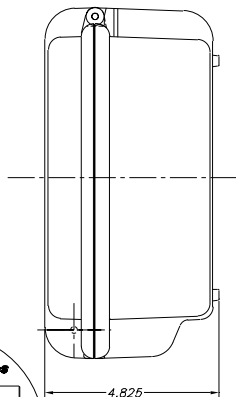
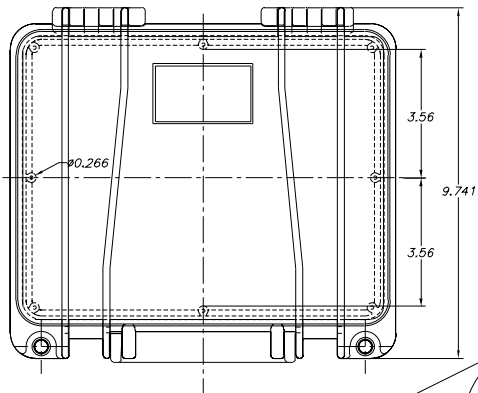
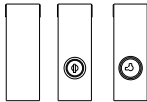


# SERPAC R-300

Electronics Enclosures



### Options for latches



**STD**    **MLL**    **PLL**

Note:  
Must be specified at  
time of order.

Note:  
Max. usable inside dimensions are:  
9.500" X 7.120" X 3.980"  
Recommended label size is:  
1.500" X 2.625"

07-05-02

ALL DIMENSIONS  $\pm 0.10$

618 Commercial Ave. Covina, CA 91723  
(626) 331-0517 Fax: (626) 331-8584 <http://www.serpac.com>